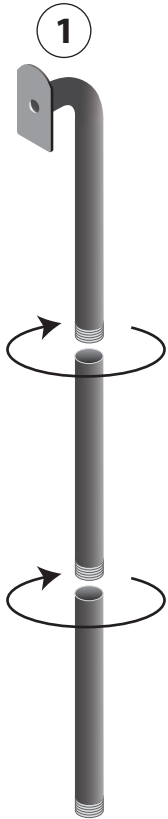


## INSTRUCTIONS FOR ASSEMBLY AND IN-GROUND INSTALLATION

This box contains all parts for a standard in-ground installation with 45 inches above the ground. Important: Assemble and tighten post completely before cementing in ground to prevent face plate from facing in the wrong direction.



### STEP 1

Assemble the three pieces of the mounting post together by screwing them together.

### STEP 2

Determine the location of the Mounting Post installation.

### STEP 3

Dig a hole at least 22 inches deep and wide enough to accommodate the concrete used to hold the post in place.

### STEP 4

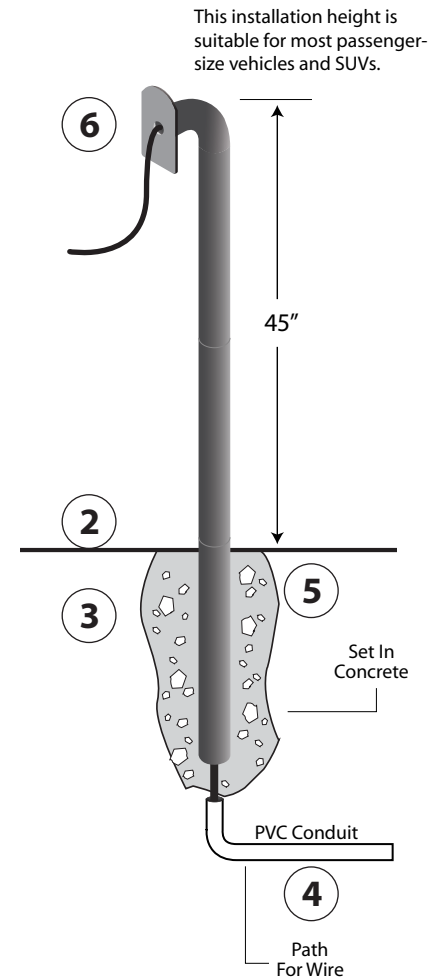
If for use with hard wire access controls, provide path for wires. We recommend using PVC conduit.

### STEP 5

DO NOT continue unless post is assembled and tightened completely. Cement post in place using a level to achieve a level and plumb installation.

### STEP 6

Install keypad/intercom according to products instructions.

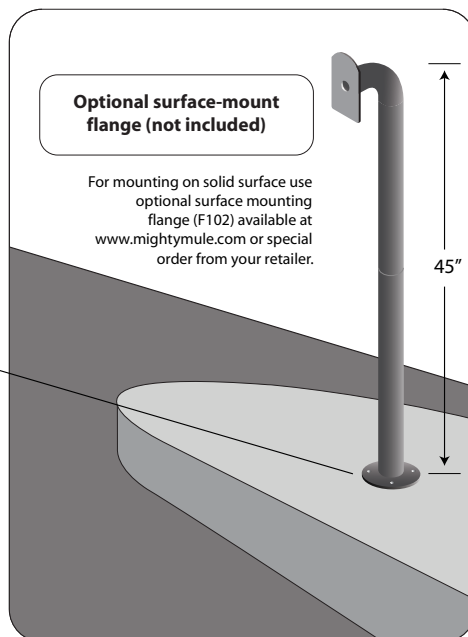


This installation height is suitable for most passenger-size vehicles and SUVs.

\*See below for other mounting options. Additional hardware not included.



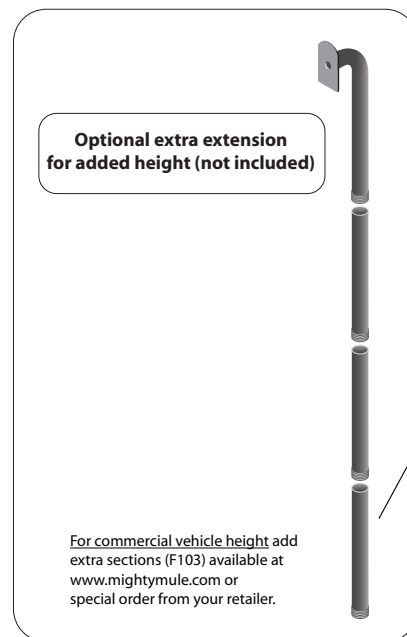
**F102 Flange Kit  
Sold Separately**



#### Optional surface-mount flange (not included)

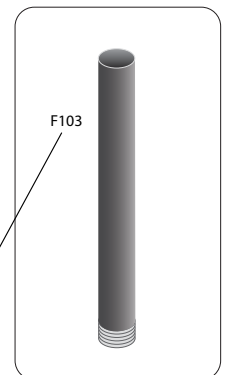
For mounting on solid surface use optional surface mounting flange (F102) available at [www.mightymule.com](http://www.mightymule.com) or special order from your retailer.

45"



#### Optional extra extension for added height (not included)

For commercial vehicle height add extra sections (F103) available at [www.mightymule.com](http://www.mightymule.com) or special order from your retailer.



**F103 Extensions  
Sold Separately**